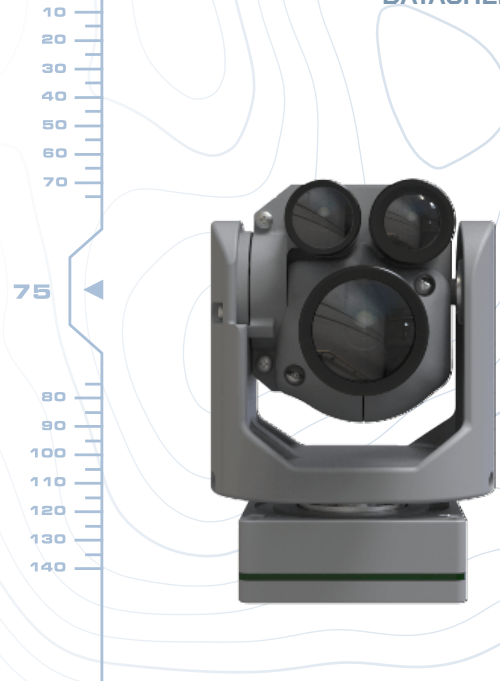


**Field-proven stabilized camera for defense, security, and industrial applications.**

The X80 is part of a family of EO/IR sensors, leading in the field of micro-stabilized gimballed cameras. Constantly pushing new technological advancements, we offer a wide range of field-proven stabilized cameras and accessories seamlessly integrated on our Unmanned Aerial Systems.



### About the X80 EO stabilized camera turret

The X80 is an Electro-Optical gimballed camera built for long-range observation using high-resolution in day & low-light conditions, featuring an unparalleled X80 continuous zoom.

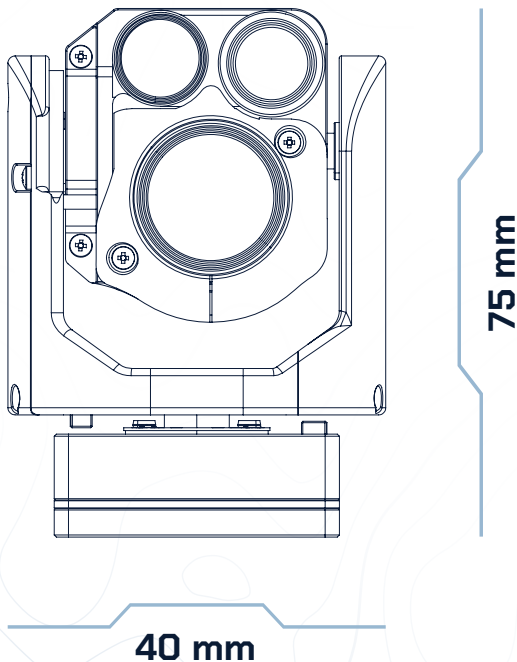
The lightweight design combined with our modular UAS platforms enables long-endurance & long-range operations with AI software capabilities to enhance real-time intelligence. The X80 offers advanced image quality to capture detailed imagery, such as license plates and faces, from distances up to 4 kilometers.

Tel: +31 (0)344 607968  
Mail: [info@heighttechnologies.com](mailto:info@heighttechnologies.com)  
Web: [www.heighttechnologies.com](http://www.heighttechnologies.com)



### Geometrical DRI according to Johnson's Criteria

The DRI according to Johnson's criteria is a universally accepted set of standards to determine the spatial resolution of the electro-optical and infrared sensor and provides an accurate means of measuring the distance at which the visible and thermal channels can produce an image of a specific target.



### VISIBLE DRI RANGES

DETECT	>10km
	>40km
RECOGNIZE	>6km
	>10km
IDENTIFY	>3km
	>6km

Visible Camera [EO]	CONFIGURATION 1
Visible	400-700 nm
Resolution:	1280x720
Continuous Zoom:	X80 [X40 optical + X2 digital]
HFOV:	60° WFOV   1.5° NFOV   0.75° DFOV
Visible Camera [EO]	CONFIGURATION 2
Visible	400-700 nm
Resolution:	1920x1080
Continuous Zoom:	X54 [X27 optical + X2 digital]
HFOV:	60° WFOV   2.2° NFOV   1.1° DFOV
Field Of Regard	
Pan:	360°
Tilt:	-45° to +135°
Control Interface	RS-232
Video Interface	Micro-HDMI
Stabilization	< 70 µrad
Power Requirement	15-32 VDC
Power Consumption	±5 Watt
Weight	140 grams
Temperature	-20°C [-4°F] to +55°C [+131°F]

Tel: +31 (0)344 607968  
Mail: info@heighttechnologies.com  
Web: www.heighttechnologies.com

