

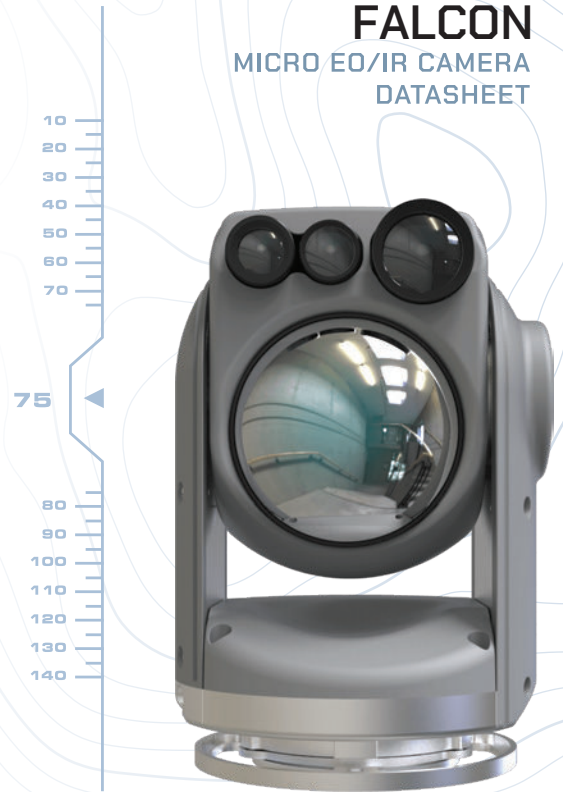
Field-proven stabilized camera for defense, security, and industrial applications.

The Falcon is part of a family of EO/IR sensors, leading in the field of micro-stabilized gimballed cameras. Constantly pushing new technological advancements, we offer a wide range of field-proven stabilized cameras and accessories seamlessly integrated on our Unmanned Aerial Systems.

About the Falcon EO/IR camera

The Falcon is a dual EO/IR stabilized camera built for long-range observation using high-res day & night vision, featuring an increased IR range and unparalleled X80 zoom.

The lightweight design combined with our modular UAS platforms enables long-endurance & long-range operations with AI software capabilities to enhance real-time intelligence. The Falcon offers advanced image quality to capture detailed imagery, such as license plates and faces, from distances up to 4 kilometer.



X80
STABILIZED ZOOM



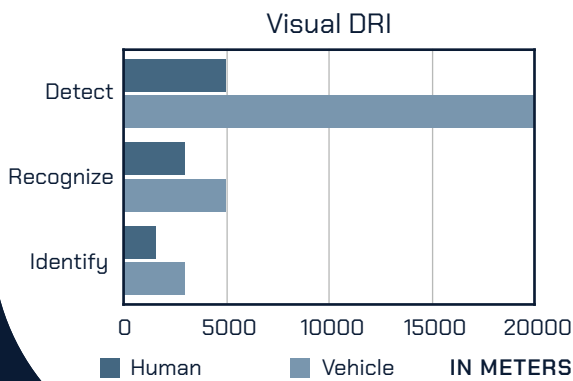
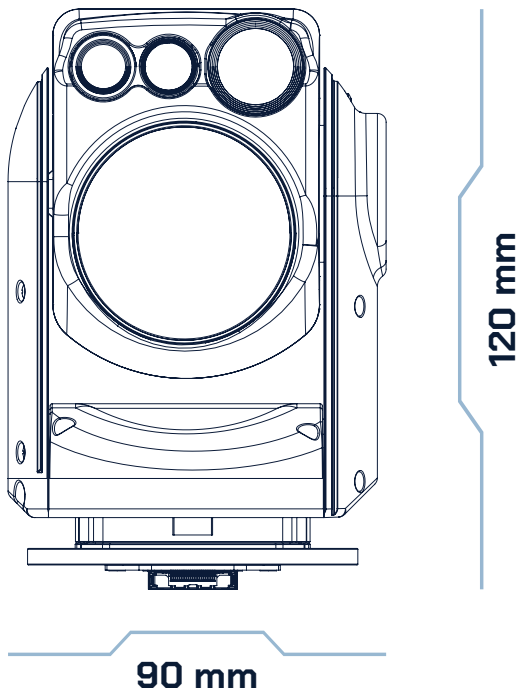
HIGH-RES
DAY/NIGHT VISION



Tel: +31 (0)344 607968
Mail: info@heighttechnologies.com
Web: www.heighttechnologies.com



UNMANNED SYSTEMS & COMPONENTS
De Iepenwei 14C - 4191PD Geldermalsen - The Netherlands



Geometrical DRI according to Johnson's criteria

Visible Camera [EO]	CONFIGURATION 1
Visible	400-700 nm
Resolution:	1280x720
Continuous Zoom:	X80 [X40 optical + X2 digital]
HFOV:	60° WFOV 1.5° NFOV 0.75° DFOV
Visible Camera [EO]	CONFIGURATION 2
Visible	400-700 nm
Resolution:	1920x1080
Continuous Zoom:	X54 [X27 optical + X2 digital]
HFOV:	60° WFOV 2.2° NFOV 1.1° DFOV
Thermal Camera [IR]	
LWIR uncooled	8-14 μ m
Resolution:	1280x720
Continuous Zoom:	X4 digital
HFOV:	25° W.FOV 6° D.FOV
Field Of Regard	
Pan:	360°
Tilt:	-45° to +80°
Control Interface	RS-232
Video Interface	Micro-HDMI
Stabilization	< 50 μ rad
Power Requirement	15-32 VDC
Power Consumption	8-16 Watt
Weight	565 grams
Temperature	-20°C [-4°F] to +55°C [+131°F]