

Compilation and Publication Notice

This manual is covering the latest product descriptions and specifications. The contents of this manual and the specifications of this product are subject to change without notice. Height Technologies reserves the right to make changes without notice in the specifications and materials contained herein and shall not be responsible for any damages (including consequential) caused by reliance on the materials presented, including but not limited to typographical and other errors relating to the publication.

For further information please contact
HEIGHT TECHNOLOGIES
info@heighttechnologies.com

Field-proven stabilized camera for defense and public safety operations.

The Raven is the system of choice when extreme long range dual EO-IR stabilized camera is needed. The camera is both mechanically and electronically stabilized in all three axes and comes with a built-in TRIP6 computer.

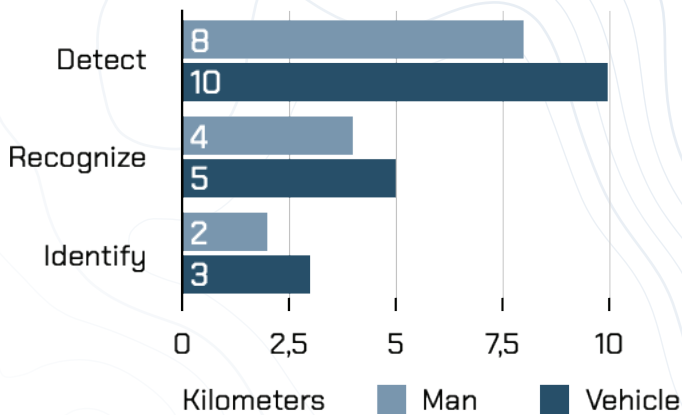
Built-in TRIP6 encoder/computer

TRIP6 provides EO/IR object tracking, geo location, video compression, IP Streaming, video recording, LTE, and license plate recognition capabilities. EO/IR object tracking points the camera to track a subject within the camera's range, ensuring the subject of interest never leaves the view. Geo location captures the position of the camera, its line of sight, and extracts location of observed objects with unprecedented accuracy. Video compression and IP encapsulation provides significantly low latency compression enabling long range operation. TRIP6 records high quality video with GPS metadata attached and keeps snapshots to a MicroSD card for simple access and expansion.

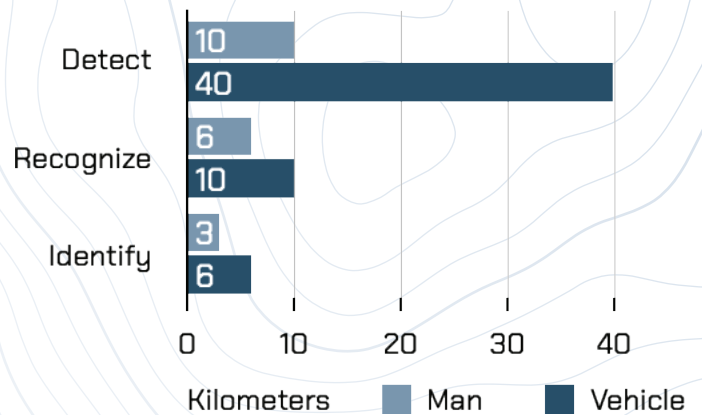


DRI Ranges

DRI Ranges: Thermal Channel



DRI Ranges: Visible Channel

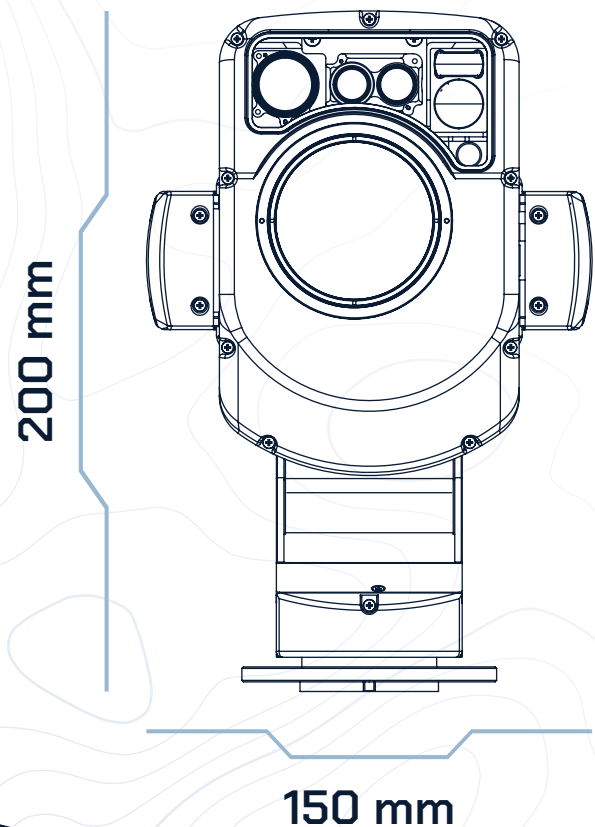


Specifications

Visible Camera configuration I	Visible 400-700 nm Resolution: 1280 x 720 Zoom: x40 + x2 digital, (total x80) continuous zoom HFOV: 60° WFOV – 1.5° NFOV – 0.75° DFOV
Visible Camera configuration II	Visible 400-700nm Resolution: 1920 x 1080 Zoom : x27 + x2 digital, (total x54) continuous zoom HFOV: 60° WFOV – 2.2° NFOV – 1.1° DFOV
Thermal Camera	MWIR cooled (3-5µm) Resolution: 640 x 480 Zoom: x11 + x2 digital (total x22), continuous zoom HFOV: 22° WFOV – 2° NFOV – 1° DFOV
Range Finder (Optional)	≥1 km range
Field of regard	Pan: 360° (non continuous) Tilt: -90° to +135° Roll: -40° to +40°
Control Interface	Ethernet
Video Interface	Ethernet
Video Compression	H265 & H264
Video Streaming over IP	MPEG2-Transport-Stream (M2TS) & Real-Time-Streaming-Protocol (RTSP)
Tracking	Static and moving object tracking
Snapshot	JPEG + EXIF + XMP
Video and Snapshot storage	MicroSD (SDXC)
Video resolution	720p / 1080p

Specifications

Geo Referencing	Point to coordinate, Ground crossing location, and more
Control	Mavlink messages
Report	KLV / MISB ST 0601 / STANAG 4609
Object Detection and Classification	Human & Vehicle / Smoke & Fire / Human in water / Marine Vessel Maintaining index over multiple frames
License Plate Reading	US, Europe, Other
Video Motion Detection	Detecting moving objects in the scene
Coordinates Refinement	Based on pre-stored orthophoto of the area
"Never lost"	Based on pre-stored orthophoto of the area
Physical Interfaces	Ethernet, UART
Stabilization	< 50 μ rad
Power Requirement	15-32 VDC
Power Consumption	20 Watt (Typical)
Dimensions	Diameter = 150 mm Height = 200 mm
Weight	1950 grams
Temperature	-20°C [-4°F] to +55°C [+131°F]



Tel: +31 (0)344 607968
 Mail: info@heighttechnologies.com
 Web: www.heighttechnologies.com

